

Certificate of Analysis

pFC27K HaloTag® CMV-neo Flexi® Vector:

Part No.	Size
G843A	20µg

Part# 9PIG843

Revised 1/18

Description: The pFC27K HaloTag® CMV-neo Flexi Vector^(a-d) is configured to append the HaloTag® protein to the carboxy-terminus of the protein fusion partner and is designed for use with the Flexi® System, Entry/Transfer (Cat.# C8640) and Carboxy Flexi® System, Transfer (Cat.# C9320). The vector provides constitutive high-level protein expression in mammalian cells using the human cytomegalovirus (CMV) immediate early enhancer/promoter. The vector can be used for both transient and stable gene expression. The stable expression is mediated by co-expression of the neomycin phosphotransferase gene, which confers resistance to the Antibiotic G-418 Sulfate (Cat.# V7983), under the control of an SV40 promoter, allowing selection of stable transfectants.

The pFC27K HaloTag® CMV-neo Flexi® Vector contains the following features:

- **CMV immediate-early enhancer/promoter** for constitutive expression in mammalian cells.
- **T7 RNA polymerase promoter** for in vitro HaloTag® fusion protein expression in cell-free systems (e.g., TnT® lysate reaction).
- **HaloTag® protein coding region**, an engineered tag that rapidly forms covalent bonds with HaloTag® ligands, enabling labeling or immobilization of expressed proteins.
- **HaloTag® linker**, a stretch of amino acids that allows efficient flexibility of the HaloTag® protein when fused to the protein of interest.
- **TEV protease site** for cleavage of the expressed protein from HaloTag® protein using HaloTEV Protease (Cat.# G6601).
- The lethal **barnase gene** for positive selection of the insert. **Note:** The pFC27K HaloTag® CMV-neo Flexi® Vector can only be propagated in *E. coli* once the barnase gene is replaced with the protein-coding sequence of interest.
- **Neomycin phosphotransferase gene** for selection of the plasmid in mammalian cells (G-418 resistance) or bacterial cells (kanamycin resistance).
- **Unique SgfI and EcoCRI sites**, which allow easy insertion of the sequence of interest. These sites create a readthrough sequence that can be joined to a protein-coding region flanked by SgfI and PmeI sites, enabling easy transfer to the pFC27K HaloTag® CMV-neo Flexi® Vector from other Flexi® Vectors with different expression options.
Once inserted in this vector, the sequence is no longer available for transfer. For more information, see the Flexi® Vector Systems Technical Manual #TM254 online at: www.promega.com/protocols
- **Synthetic poly(A)** for enhanced translation in eukaryotic systems (in vitro and in vivo).

Concentration: 0.1µg/µl.

GenBank® Accession Number: JN122284.

Storage Buffer: The pFC27K HaloTag® CMV-neo Flexi® Vector is supplied in 10mM Tris-HCl, 1mM EDTA (pH 8.0).

Storage Conditions: See Product Information Label for storage recommendations and expiration date. Avoid multiple freeze-thaw cycles and exposure to frequent temperature changes. These fluctuations can greatly alter product stability.

Note: The insert must contain an in-frame ATG codon for translation initiation. Use Flexi® Vector Primer Design Tool as a guide for correct primer design and construction: www.promega.com/resources/tools

Usage Notes:

1. For stable expression, the transfected cells must be selected with the antibiotic G-418. After transfection, seed the cells at low density, and add the G-418 antibiotic to the medium at a concentration 100µg/ml–1mg/ml. For effective selection, the cells should be subconfluent; nongrowing cells are resistant to the effects of G-418. The concentration of G-418 required to select and maintain drug resistance depends on the cell type and growth rate. In general, mammalian cells require a concentration of 400–600µg/ml of G-418 for selection and 200–400µg/ml of G-418 for maintenance of stable transfectants. Change the growth medium every 3 days until drug-resistant clones appear (2–5 weeks, depending on the cell type). For cells not expressing neomycin phosphotransferase, cell death should occur 3–9 days after adding G-418.

(continued, next page)

Quality Control Assays

Contaminant Assays

Contaminating Nucleic Acids: RNA, single-stranded DNA and chromosomal DNA are not evident in an overload sample of this vector as determined by agarose gel electrophoresis.

Nuclease Assay: To demonstrate the absence of endonucleases and exonucleases, vector DNA is incubated in standard digest buffers at 37°C for 16 hours followed by agarose gel electrophoresis. The specification is <10% conversion to nicked or linear DNA.

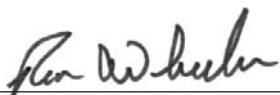
Physical Purity: $A_{260}/A_{280} \geq 1.80$.

Functional Assays

Identity Assay: The vector has been sequenced completely and has 100% identity with the published sequence available at: www.promega.com/products/vectors/

Restriction Enzyme Digests: Vector DNA is analyzed for the presence of certain restriction enzyme sites by incubation with a variety of restriction enzymes at the specified digestion temperature for one hour. Samples are examined by agarose gel electrophoresis, comparing cut and uncut vector DNA with marker DNA.

Signed by:



R. Wheeler, Quality Assurance



AF9PIG843 0118G843



Promega

Promega Corporation

2800 Woods Hollow Road	
Madison, WI 53711-5399	USA
Telephone	608-274-4330
Toll Free	800-356-9526
Fax	608-277-2516
Internet	www.promega.com

PRODUCT USE LIMITATIONS, WARRANTY, DISCLAIMER

Promega manufactures products for a number of intended uses. Please refer to the product label for the intended use statements for specific products. Promega products contain chemicals which may be harmful if misused. Due care should be exercised with all Promega products to prevent direct human contact.

Each Promega product is shipped with documentation stating specifications and other technical information. Promega products are warranted to meet or exceed the stated specifications. Promega's sole obligation and the customer's sole remedy is limited to replacement of products free of charge in the event products fail to perform as warranted. Promega makes no other warranty of any kind whatsoever, and SPECIFICALLY DISCLAIMS AND EXCLUDES ALL OTHER WARRANTIES OF ANY KIND OR NATURE WHATSOEVER, DIRECTLY OR INDIRECTLY, EXPRESS OR IMPLIED, INCLUDING, WITHOUT LIMITATION, AS TO THE SUITABILITY, PRODUCTIVITY, DURABILITY, FITNESS FOR A PARTICULAR PURPOSE OR USE, MERCHANTABILITY, CONDITION, OR ANY OTHER MATTER WITH RESPECT TO PROMEGA PRODUCTS. In no event shall Promega be liable for claims for any other damages, whether direct, incidental, foreseeable, consequential, or special (including but not limited to loss of use, revenue or profit), whether based upon warranty, contract, tort (including negligence) or strict liability arising in connection with the sale or the failure of Promega products to perform in accordance with the stated specifications.

© 2011–2013, 2016, 2018 Promega Corporation. All Rights Reserved.

Flexi, HaloTag and TnT are registered trademarks of Promega Corporation.

GenBank is a registered trademark of US Dept of Health and Human Services.

Products may be covered by pending or issued patents or may have certain limitations. Please visit our Web site for more information.

All specifications are subject to change without prior notice.

Product claims are subject to change. Please contact Promega Technical Services or access the Promega online catalog for the most up-to-date information on Promega products.

Part# 9PIG843
Printed in USA Revised 1/18

Usage Notes: (continued)

- When removing the HaloTag® gene to insert into other vectors, it is critical to also include the HaloTag® linker and the TEV protease recognition sequence to ensure best function of the HaloTag® coding region.
- This vector was designed to be used with the Flexi® System, a directional cloning method to shuttle protein-coding sequences between compatible vectors. In this system, carboxy-terminal tag fusions cannot shuttle the insert to other expression vectors. To retain the capacity to transfer a protein-coding sequence to multiple vectors, the insert must first be cloned into any amino-terminal tag kanamycin-resistant Flexi® Vector [e.g., pFN21A CMV Flexi® Vector (Cat.# G2821)] or into an appropriate untagged kanamycin-resistant shuttle vector [e.g., pF4A CMV Flexi® Vector (Cat.# C8481)] using the Flexi® System, Entry/Transfer (Cat.# C8640). Then the protein-coding insert can be transferred to the pFC27K HaloTag® CMV-neo Flexi® Vector using the Carboxy Flexi® System, Transfer (Cat.# C9320). See the *Flexi® Vector Systems Technical Manual* #TM254: www.promega.com/protocols
- Concentration gradients may form in frozen products and should be dispersed upon thawing. Mix well prior to use.

pFC27K HaloTag® CMV-neo Flexi® Vector Features and Circle Map

The following features are present in the vector based on nucleotide sequence.

CMV immediate-early enhancer/promoter	1–742
Chimeric intron	857–989
T7 RNA polymerase promoter (–17 to +3)	1033–1052
SgfI site	1056–1063
Barnase coding region	1087–1422
EcoICRI site	1442–1447
HaloTag® linker	1447–1491
TEV protease region	1462–1482
HaloTag® C-terminal region	1492–2382
SV40 late polyadenylation signal	2516–2737
SV40 enhancer and early promoter	2836–3254
EM7 bacterial promoter	3262–3328
Neomycin phosphotransferase	3342–4136
Synthetic polyadenylation signal	4200–4248
Col/E1-derived plasmid origin of replication	4484–4520

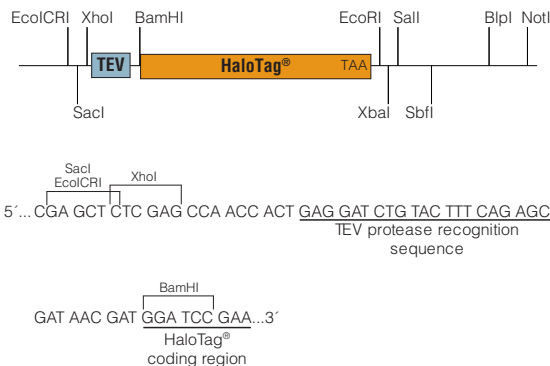


Figure 2. pFC27K HaloTag® CMV-neo Flexi® Vector sequence upstream and downstream of the HaloTag® gene.

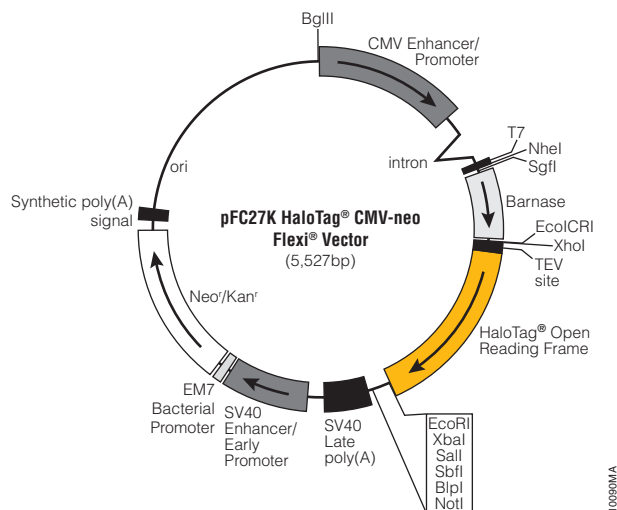


Figure 1. pFC27K HaloTag® CMV-neo Flexi® Vector circle map and sequence reference points.

Related Products

Product	Size	Cat.#
JM109 Competent Cells, >10 ⁸ cfu/μg	5 × 200μl	L2001
JM109 Competent Cells, >10 ⁷ cfu/μg	5 × 200μl	L1001
HB101 Competent Cells, >10 ⁸ cfu/μg	5 × 200μl	L2011
HaloTag® Mammalian Protein Detection and Purification System	1 each	G6795
HaloTag® Mammalian Pull-Down and Labeling System	24 reactions	G6500
HaloCHIP™ System	20 reactions	G9410
Carboxy Flexi® System, Transfer	50 transfer reactions	C9320

There are Flexi® Vectors available for many different applications. Visit: www.promega.com/products/cloning-and-dna-markers to learn more.

^(a)BY USE OF THIS PRODUCT, RESEARCHER AGREES TO BE BOUND BY THE TERMS OF THIS LIMITED USE STATEMENT. If the researcher is not willing to accept the conditions of this limited use statement, and the product is unused, Promega will accept return of the unused product and provide the researcher with a full refund.

Researchers may use this product for research use only, no commercial use is allowed. Researchers shall have no right to modify or otherwise create variations of the nucleotide sequence of the HaloTag® gene. Researchers may however clone heterologous DNA sequences at either or both ends of said HaloTag® gene so as to create fused gene sequences provided that the coding sequence of the resulting HaloTag® gene has no more than four (4) deoxynucleotides missing at the affected terminus when compared to the intact HaloTag® gene sequence. In addition, researchers must do one of the following in conjunction with use of the product: (1) use Promega HaloTag® ligands, which can be modified or linked to Promega or customer-supplied moieties, or (2) contact Promega to obtain a license if Promega HaloTag® ligands are not to be used. Researchers may transfer derivatives to others for research use provided that at the time of transfer a copy of this label license is given to the recipients and recipients agree to be bound by the terms of this label license. With respect to any uses outside this label license, including any diagnostic, therapeutic or prophylactic uses, please contact Promega for supply and licensing information. PROMEGA MAKES NO REPRESENTATIONS OR WARRANTIES OF ANY KIND, EITHER EXPRESSED OR IMPLIED, INCLUDING FOR MERCHANTABILITY OR FITNESS FOR A PARTICULAR PURPOSE WITH REGARDS TO THE PRODUCT. The terms of this agreement shall be governed under the laws of the State of Wisconsin, USA.

^(b)U.S. Pat. Nos. 7,425,436, 7,935,803, 8,466,269, 8,742,086, 8,420,367 and 8,748,148 and other patents and patents pending.

^(c)U.S. Pat. Nos. 8,293,503, 9,018,014 and 8,367,403, European Pat. No. 1685247 and other patents and patents pending.

^(d)For research use only. Persons wishing to use this product or its derivatives in other fields of use, including without limitation, commercial sale, diagnostics or therapeutics, should contact Promega Corporation for licensing information.