

GloMax[®]-Multi Detection System: Photometer

INSTRUCTIONS FOR USE OF PRODUCT E7061.

Quick
PROTOCOL

Startup

1. Turn on the GloMax[®]-Multi Detection System Instrument (the switch is located on the back panel of the instrument).
2. The built-in PC and Windows[®] CE will load.
3. After warming up, the "Home" screen will appear.

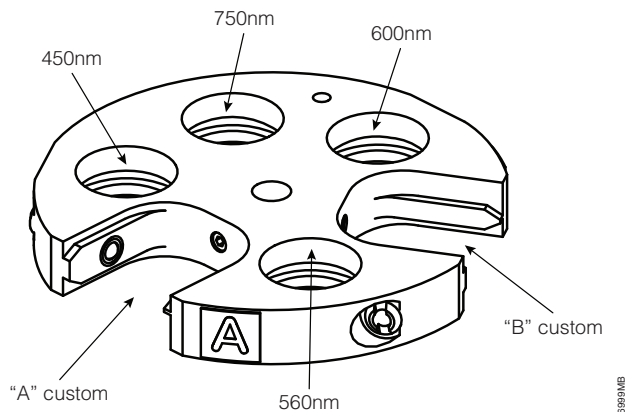
Select a Protocol

1. Set up a new protocol using the "New Protocol" wizard.
- OR –
2. Select a saved protocol using the "Select Protocol" wizard.

Filter Wavelength Selections

1. The six-position filter wheel holds four factory-installed filters and has two open filter positions for custom filters.
2. The four factory-installed filters are: 450, 560, 600, and 750nm.
3. Touch the "Wavelength Filter Selection" button(s) on the touch screen to select the proper filter.

See the *GloMax[®]-Multi Detection System Technical Manual #TM297* for instructions in setting a reference wavelength.



ORDERING/TECHNICAL INFORMATION:

www.promega.com • Phone 608-274-4330 or 800-356-9526 • Fax 608-277-2601

©2008–2010 Promega Corporation. All Rights Reserved.



Promega

Printed in USA. Revised 5/10
Part #9FB091

GloMax®-Multi Detection System: Photometer

INSTRUCTIONS FOR USE OF PRODUCT E7061.

Quick
PROTOCOL

Start A Run

1. Touch the “Plate” button, and highlight the wells to be read (green wells are selected, pink wells are reference, and gray wells are deselected).
2. Touch the “Door” button to open the instrument. Place the microplate in the sample tray. Make sure the A1 well is at the top right corner.
3. If the Microplate Samples Tray Cover is installed, do not use force or push on to close it. The cover will close automatically.
4. Touch the “Start” button.
5. Touch the “Edit” button, and use the keypad to enter a file name.
6. Touch the “OK” button to start reading.

Note: To prevent evaporation and damage to the detector head, always remove the microplate when the read is complete.

Results

To View Results

1. From the “Instrument Control” screen, touch the “Results” button.
2. Touch the “Files” button, and choose a saved file to view.

To Transfer Results File(s)

1. Insert a USB flash drive into the USB port to the left of the touch screen.
2. Touch the “USB” button on the upper right corner of the screen.
3. Touch the “OK” button to export only the selected file, or touch the “Copy All Files” button to export all displayed and undisplayed results files.
4. Move the USB flash drive to a PC or Macintosh® computer to download files.

Note: Only the 50 most recent results files are displayed on the touch screen. All results files are stored on the internal memory of the instrument. To ensure that no data is lost, save your results files to a USB flash drive frequently.

For complete protocol information, see the *GloMax®-Multi Detection System Technical Manual #TM297*, available at: www.promega.com/tbs

ORDERING/TECHNICAL INFORMATION:

www.promega.com • Phone 608-274-4330 or 800-356-9526 • Fax 608-277-2601

©2008–2010 Promega Corporation. All Rights Reserved.




Promega

Printed in USA. Revised 5/10
Part #9FB091

GloMax®-Multi Detection System: Photometer

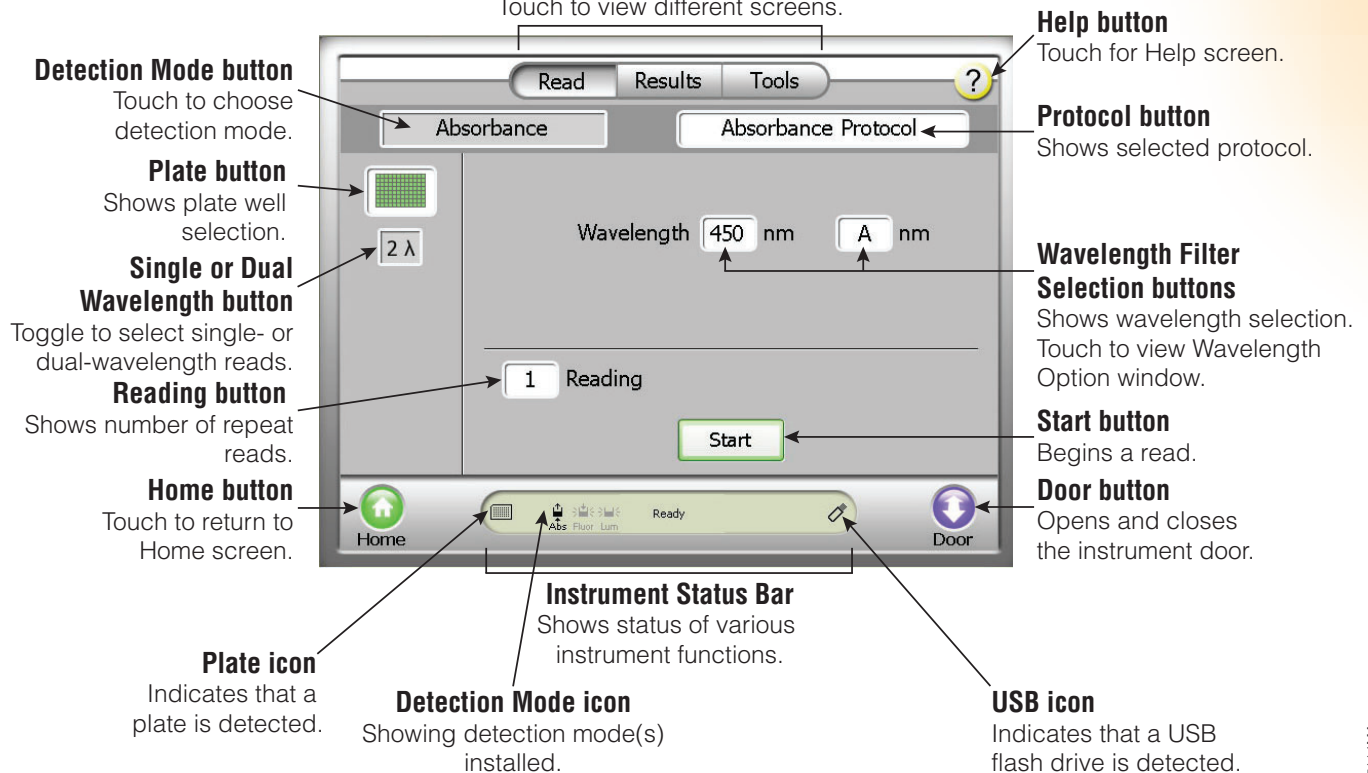
INSTRUCTIONS FOR USE OF PRODUCT E7061.

Quick
PROTOCOL

“Read” Screen Map

Read, Results, and Tools buttons

Touch to view different screens.



7114MA

ORDERING/TECHNICAL INFORMATION:

www.promega.com • Phone 608-274-4330 or 800-356-9526 • Fax 608-277-2601

©2008–2010 Promega Corporation. All Rights Reserved.



Promega

Printed in USA. Revised 5/10
Part #9FB091

GloMax®-Multi Detection System: Photometer

INSTRUCTIONS FOR USE OF PRODUCT E7061.

Quick
PROTOCOL

“Results” Screen Map

Read, Results, and Tools buttons
Touch to view different screens.

Reference Well icon
Shows results file name.
Appears when reference well is defined. Results displayed have the reference well reading subtracted.

Unit of Measurement button
Toggle to view OD, %A or %T. Displays OD only when in repeat read mode.

Ratio button
Appears when in dual wavelength read mode. Toggle to see results as an actual reading or as a ratio.

Home button
Touch to return to Home screen.

Black Plate icon
Indicates that plate read is complete.

Instrument Status Bar
Shows read status and file name.

USB button
Touch to transfer results file(s) to USB flash drive.

Help button
Touch for Help screen.

Files button
Touch to view the 50 most recent files. Touch Up and Down arrows to view individual file results.

Plate View button
Toggle to switch between full or partial plate view.

Door button
Opens and closes the instrument door.

Black USB icon
Indicates that files have been saved to USB flash drive.

	1	2	3	4	5	6	7	8	9	10	11	12
A	R		-0.538 -0.044		-0.002 0.007							
B												
C												
D												
E												
F												
G												
H												

7115MA

ORDERING/TECHNICAL INFORMATION:

www.promega.com • Phone 608-274-4330 or 800-356-9526 • Fax 608-277-2601

©2008–2010 Promega Corporation. All Rights Reserved.



Promega

Printed in USA. Revised 5/10
Part #9FB091