

Maxwell[®] 16 Mouse Tail DNA Purification Kit— Full automation of mouse tissue DNA purification saves you time and money

Automation provides consistent results

The Mouse Tail DNA Purification Kit for the Maxwell 16 Instrument consistently purifies high quality DNA from mouse tails, ear punches and other animal tissues. The system can purify up to 20g of DNA from 1cm of mouse tail tissue in less than 45 minutes.

Manual DNA purification methods are susceptible to variability due to poorly optimized methods, user variation and contaminant carryover. The Maxwell 16 System provides fully automated DNA purification that delivers consistent results. The Mouse Tail DNA Purification Kit used with the Maxwell 16 Instrument is the ideal solution for researchers using transgenic or knock-out mice as models of human disease or for animal care, core labs or other facilities that provide genotyping services.

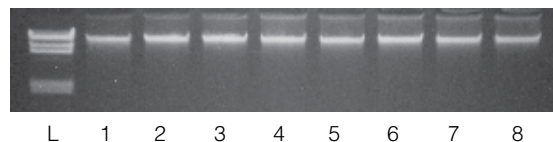
Automation saves time and money

The fully automated Maxwell 16 can save up to 1 full day in turn-around of genotyping results. This amount of time savings significantly reduces animal housing costs, especially for labs using large numbers of research animals.

Fully automated purification also reduces hands-on time and labor by greater than 70%. While the Maxwell 16 System is working, you are free to focus on other important parts of your research.



Flexible purification: Genomic DNA (5µl) purified from 50mg of the following mouse tissues. Lane 1, brain; Lane 2, heart; Lane 3, intestine; Lane 4, liver; Lane 5, pancreas; Lane 6, spleen; Lane 7, 1cm mouse tail clipping; Lane 8, 0.5cm mouse tail clipping; Lane L, HindIII Ladder.



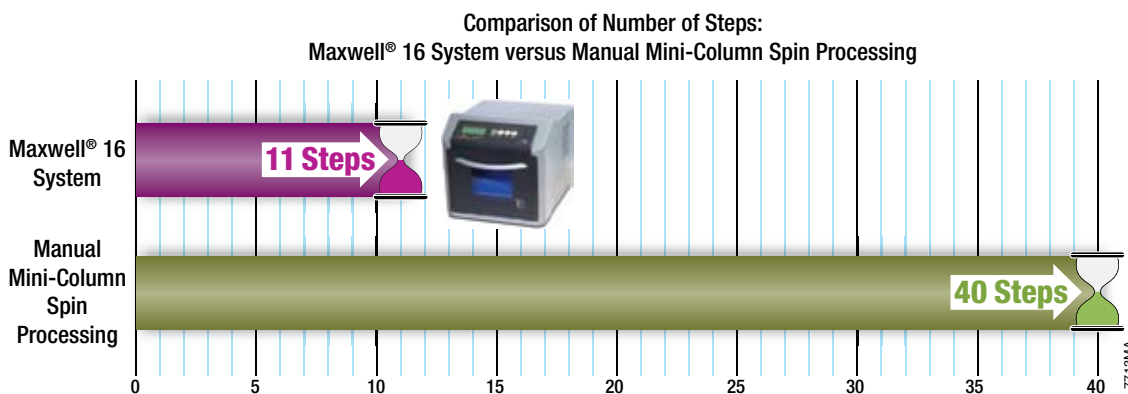
Consistent purification. 5µl of genomic DNA purified from mouse tail (1cm). L=Lambda/HindIII Ladder.

Automation is easier and simpler than before

Mouse tissue DNA purification has never been easier to perform. The Maxwell 16 System automates mouse tissue DNA purification without the use of proteases, tissue grinding or any other pre-processing methods. You purify genomic DNA with the Maxwell 16 System in three easy steps:

1. Add mouse tissue to well #1 of reagent cartridge
2. Place cartridge into Maxwell[®] 16 Instrument
3. Press start and walk-away

The compact size of the Maxwell 16 Instrument, about the size of a laptop computer, allows it to fit into almost any lab.



Save hands-on time and labor: Save 29 hands-on steps with Maxwell[®] 16 compared to manual methods (spin column kit) for mouse tissue DNA purification.

Maxwell® 16 Mouse Tail DNA Purification Kit Specifications

Processing Time	45-minutes
Number of Samples	up to 16
Standard Configuration	300µl elution volume
Extractions Per Kit	48
Storage Requirements	22–25° C

Maxwell® 16 Instrument Specifications

Weight	41.7lb (18.9kg)
Dimensions (W × D × H)	12.8 × 17.3 × 12.9 inches (33 × 44 × 33cm)
Power Requirements	100–240VAC, 50–60Hz, 2.1A
Warranty	1 year

Ordering Information

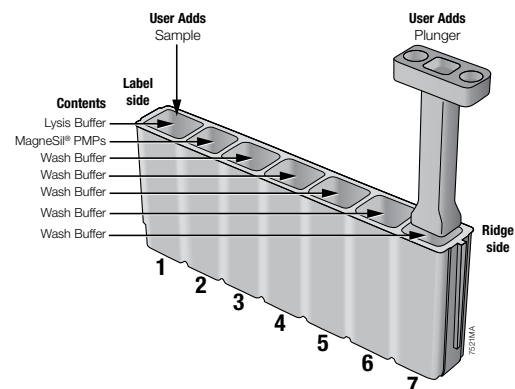
Product	Size	Cat. #
Maxwell® 16 Mouse Tail DNA Purification Kit	48 preps	AS1120
Maxwell® 16 Instrument	each	AS2000
Maxwell® 16 SEV Hardware Kit	each	AS1200
Maxwell® 16 Blood DNA Purification Kit	48 preps	AS1010
Maxwell® 16 Cell DNA Purification Kit	48 preps	AS1020
Maxwell® 16 Tissue DNA Purification Kit	48 preps	AS1030
Maxwell® 16 LEV Cell Total RNA Purification Kit	48 preps	AS1225
Maxwell® 16 LEV Tissue Total RNA Purification Kit	48 preps	AS1220
Maxwell® 16 LEV Hardware Kit	each	AS1250
Maxwell® 16 Flexi Method Firmware	each	AS6411
Maxwell® 16 DNA IQ™ Reference Sample Kit	48 preps	AS1040
Maxwell® 16 Total RNA Purification Kit	48 preps	AS1050
Maxwell® 16 Polyhistidine Protein Purification Kit	48 preps	AS1060
Maxwell® 16 Premier Warranty*	each	SA2000
Maxwell® 16 Standard Service Agreement*	each	SA2010
Maxwell® 16 Premier Service Agreement*	each	SA2015
Maxwell® 16 Preventative Maintenance*	each	SA2020

*Some services may not be available in all markets, please contact your Promega representative.

DNA IQ is a trademark of Promega Corporation.

MagneSil and Maxwell are registered trademarks of Promega Corporation.

Products may be covered by pending or issued patents or may have certain limitations. Please visit the Promega Web site for more information: www.promega.com



The Maxwell® 16 DNA Purification Cartridge.

